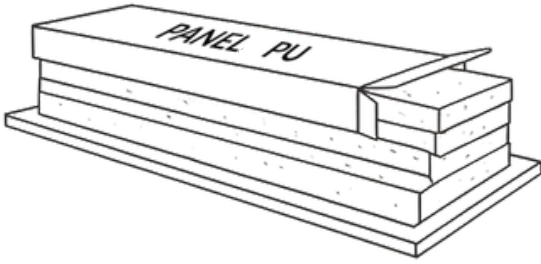




INSTALLATION INSTRUCTIONS FOR PU PANELS



The panels should be stored in their original packaging, in a horizontal position, on a flat and insulated surface (e.g. pallet, polystyrene, cardboard). Before installation, the panels should acclimatise in the target room for at least 24 hours.

It is recommended to check the conditions: the room temperature should be between 18 and 22 °C, and the air humidity between 40 and 60%. The moisture content of the walls should not exceed 2% (CM method). The substrate must be smooth, clean and dry. If installing with adhesive, it is recommended to prime the wall beforehand.

TOOLS AND MATERIALS REQUIRED FOR INSTALLATION:

- Assembly adhesive (solvent-free)
- Glue gun
- Table saw or hand saw (with fine teeth)
- Filler
- Filler gun
- Small brush
- 120-grit sandpaper
- Measuring tape
- Spirit level
- Pencil
- Vacuum cleaner or brush
- Interior paints (solvent-free)
- Paint roller or brush Wall primer

REQUIREMENTS FOR THE ROOM AND WALLS:

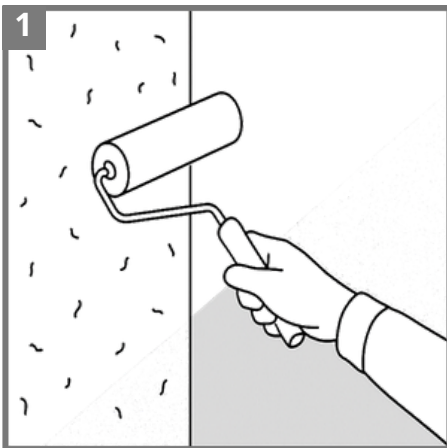
- Season the panels for at least 24 hours in the target room.
- Room temperature: 18–22 °C.
- Air humidity: 40–60%.
- Wall humidity: max. 2% (CM method).
- The substrate must be: even, dry, dust-free, and degreased.
- Prime the wall before installation.

SAFETY DURING INSTALLATION

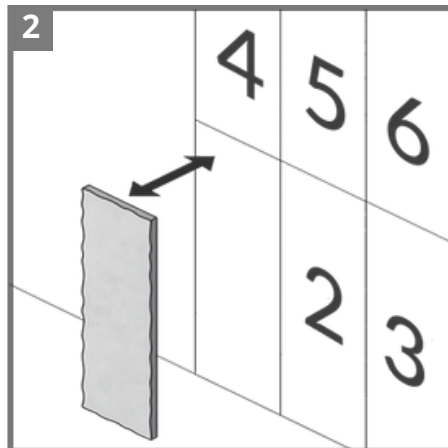
When cutting panels and performing sanding work, it is recommended to use personal protective equipment, in particular safety glasses, work gloves and a dust mask. When cutting mechanically, exercise extreme caution and work only on a stable, secure workstation. The manufacturer is not liable for damage resulting from improper use of tools.

RECOMMENDATIONS FOR TESTING BEFORE PROPER INSTALLATION

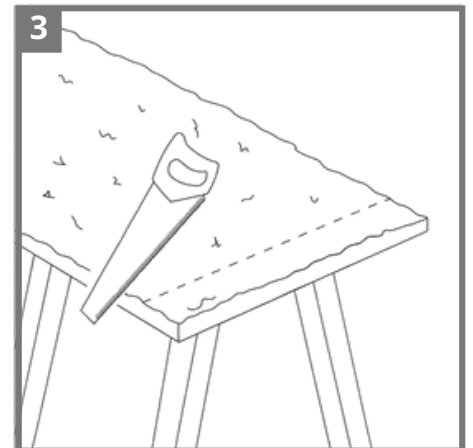
Before starting the installation, we recommend testing the fit of the panels on a small section of the wall. This allows you to check the adhesion of the substrate, the reaction of the material and how it is cut and glued. If you intend to paint, it is recommended to perform a colour test beforehand, especially with non-standard paints. Installation on an untested, unprepared or unusual substrate is carried out at the sole responsibility of the contractor or investor.



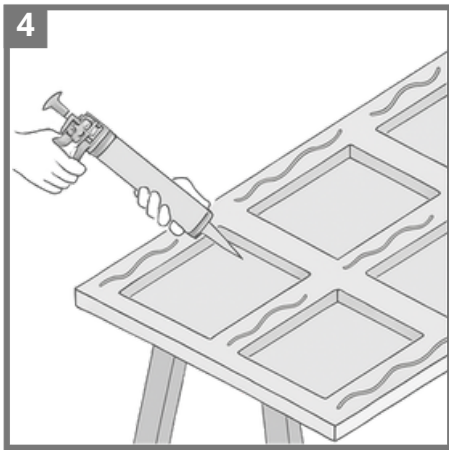
1 Ensure that the wall surface is even, dry, and free of grease. Before gluing, it is recommended to apply a primer to improve adhesion.



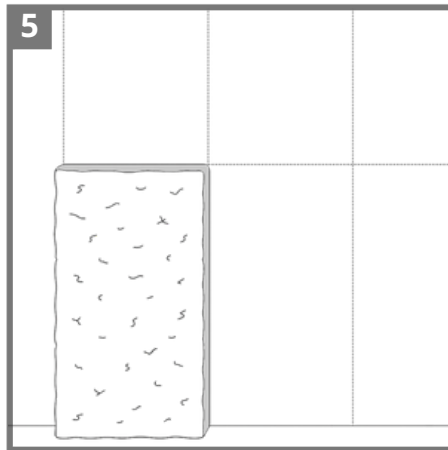
2 Before you begin installation, plan the layout of the panels on the wall to achieve an even and aesthetic effect.



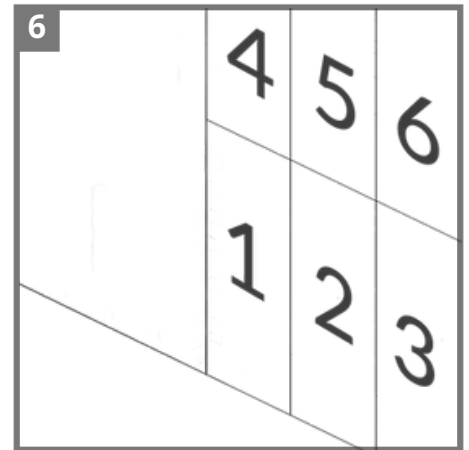
3 Adjust the length of the panel by cutting it with a table saw or hand saw to achieve a precise cut.



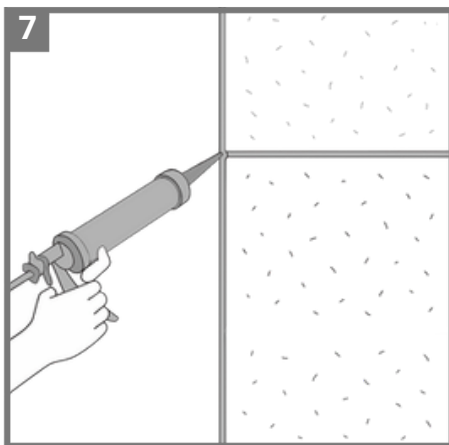
4 Apply mounting adhesive to the rear surface of the panel. Carefully remove any excess adhesive that may spill over the edges.



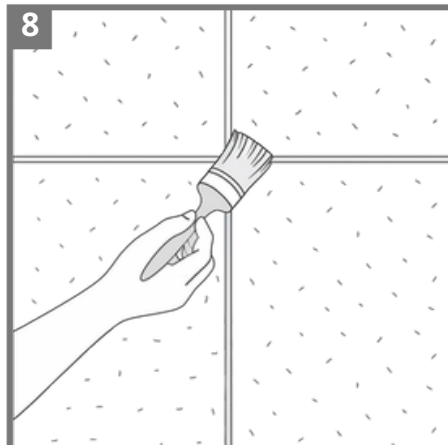
5 Begin installation by sticking the first panel in the bottom left corner of the wall.



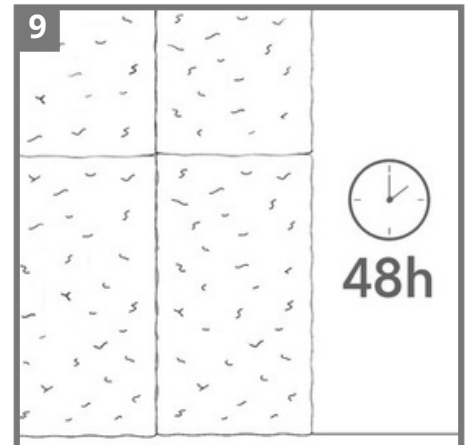
6 Continue the installation by sticking the subsequent panels in the order shown in Figure 6.



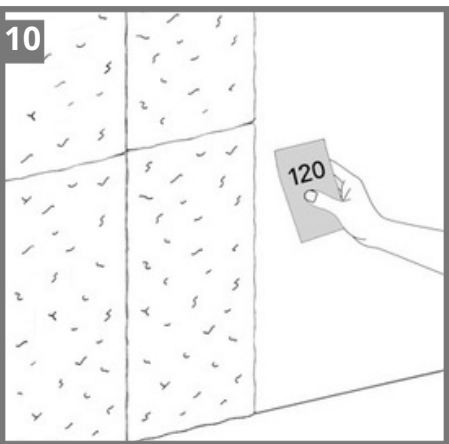
7 Fill the gaps between the panels with filler or use a cartridge of filler, applying it with a gun.



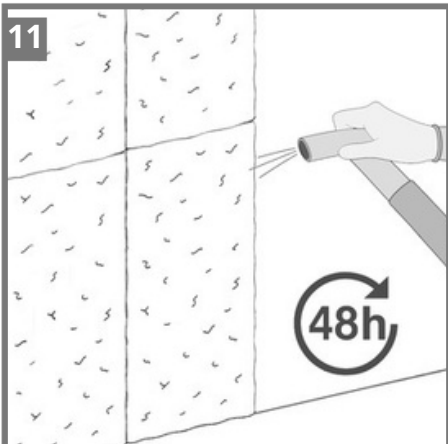
8 Use a small brush to aerate the applied filler so that it thoroughly masks the joints and makes the joints between the panels invisible.



9 Leave the panels for 48 hours to dry completely.



10 Remove any remaining filler and gently smooth the surface with 120-grit sandpaper to achieve an even texture.



11 After finishing the filling, carefully remove any dust from the surface of the panels. Painting can begin no earlier than 48 hours after completion of installation.



12 The panels can be painted at the same time as the wall, using interior paints. Avoid solvent-based paints, which may react with polyurethane.

WARNING! The manufacturer shall not be held liable for installation performed in a manner other than that described in these instructions. Any deviations from the recommendations regarding substrate preparation, environmental conditions, installation methods, cutting, filling, painting and the use of inappropriate materials (e.g. adhesives, paints, tools) are the sole responsibility of the contractor or investor and exclude the possibility of complaints. Please read the instructions carefully before starting installation. Installation implies acceptance of the technical condition of the panels and the conditions of use.

OFFICE & SHOWROOM
ul. Leśna 34 05-532
Pilawa Polska



CONTACT
Tel: 517 203 588
biuro@easy-stones.pl
www.easystones.pl